

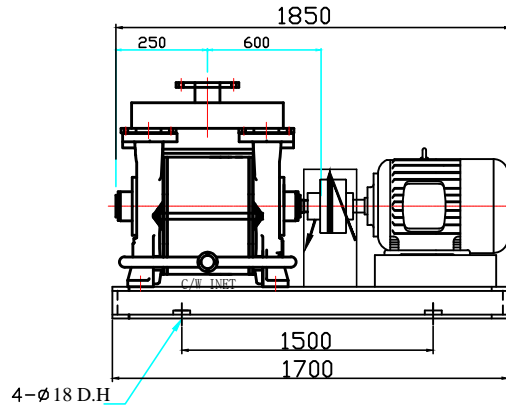
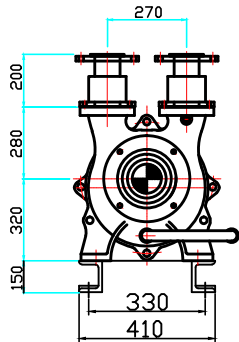
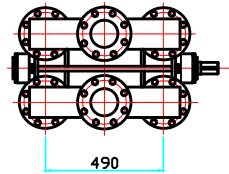
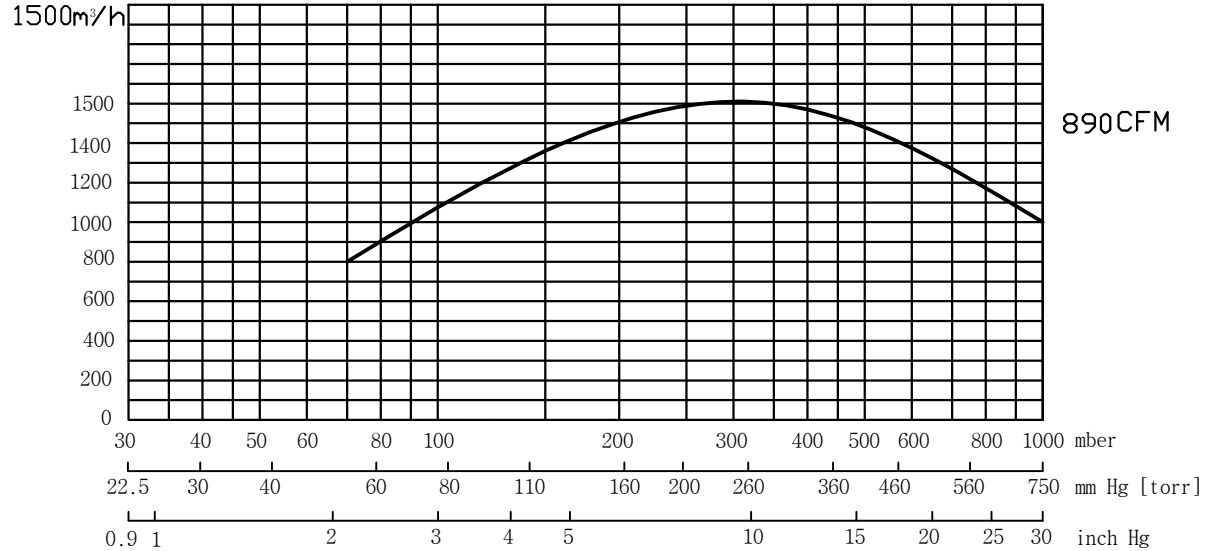
SPECIFICATIONS

| | |
|------------------------------|--|
| Design | 20000 Lit./min(50Hz) |
| Displacement | 25000 Lit./min(60Hz) |
| Speed | 920 r.p.m. (50Hz) |
| | 1150 r.p.m. (60Hz) |
| Normal usage vacuum pressure | Under Torr |
| Attainable vacuum pressure | Max 50Torr |
| Suction port diameter | KS 150A (2) |
| Motor | Horizontal Motor Standard 3-Phase 220/380V 60Hz 45kW 6P |
| Water Capacity | 15° C 기준 130L/MIN |
| Weight | 580 Kg |
| Painting | Color- VL951 (Company's standard) |
| Allowable ambient temp. | -10~40 C |

-1 Excluding motor and some other parts.

Curve referred to dry air at 20°C (68°F) 배기량 SUCTION CAPACITY

냉각수 온도 15 C 기준



ACCESSORIES(Option)

- Vacuum Manual Valve
- Vacuum gauge
- Vacuum Check Valve
- Separator Tank

CONSUMABLE LIST

(Vacuum.ENG GENUINE PARTS)

| Designation | Specification | Quantity/set |
|---------------|---|--------------|
| Grand packing | φ 75 | 2 |
| Bearing | 5314,NU314 ZZ (Special Heat - resisting grease) | 2 |
| Pulley | (M)φ300 (P)φ400 | 1 |
| Shaft key | φ 60 80 X 9 | 1 |

- 품질 개선을 위해서 예고없이 변경 될수 있음.
- Not binding dimension that can change to motor make

| | | | |
|------------|--------|-------|----------------|
| DWG DATE | SCALE | | TITLE |
| 2006.04.14 | N/S | | WATER RING V/P |
| DWGBY | DESNBY | CHDBY | APPROVE |
| | | | CLIENT |
| | | | LOCATION |
| | | | DWG NO |
| | | | JLRP1-250 |